

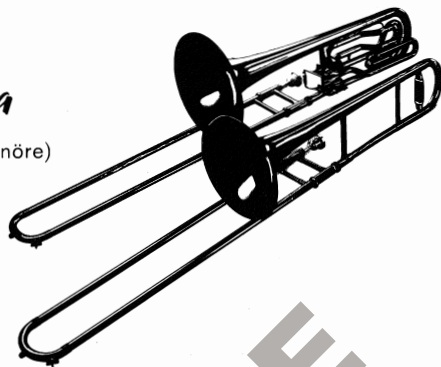
Direktion

# Lerchen-Polka

Solo für 2 Posaunen (2 Tenöre)

Musik: Karl Maurer

Arr.: Franz Watz



Musikverlag Siegfried Rundel · D-7956 Rot an der Rot  
Telefon (08395) 527

Sheet music for the first system of 'Lerchen-Polka'. It consists of four staves. The top two staves are for the tuba and euphonium parts, with dynamics like *mf* and *f*. The bottom two staves are for the piano accompaniment, with various chords and dynamics like *cresc...* and *f*. Instrumentation includes Holz (Woodwinds), Sax Alt (Saxophone Alto), Trp. (Trumpet), and Bar. Bässe (Baritone Basses).

# Lerchen-Polka

Direktion in C

Solo für 2 Posaunen (2 Tenöre)

Musik: Karl Maurer  
Arr.: Franz Watz

Sheet music for the second system of 'Lerchen-Polka'. It consists of three staves. The top staff is for the tuba and euphonium parts, with dynamics like *Tutti f* and *mf*. The middle and bottom staves are for the piano accompaniment, with various chords and dynamics like *f* and *p*. Instrumentation includes Holz + Sax. Satz (Woodwinds and Saxophone Section), Flgh. + Sax. Holz (Flugelhorn and Saxophone/Woodwinds), and Trp. (Trumpet).

Sheet music for the third system of 'Lerchen-Polka'. It consists of four staves. The top two staves are for the tuba and euphonium parts, with dynamics like *mf* and *f*. The bottom two staves are for the piano accompaniment, with various chords and dynamics like *f* and *p*. Instrumentation includes Trp. (Trumpet) and Bar. Bässe (Baritone Basses). The system ends with 'D. S. at Fine'.